

# SGR

## ROTATING GRAPPLE



- The reinforced body structure allows the use of the SGR for **heavy-duty tasks** such as the demolition of brick buildings or the handling of rock blocks
- The **powerful cylinders**, with integrated hydraulic braking system, guarantee strong clamping force
- The **new hydraulic system** improves performances and durability while it simplifies maintenance operations
- The **load-block valve**, that prevents valve opening without operator command, maximizes the safety standards of the SGR

### TECHNICAL DATA

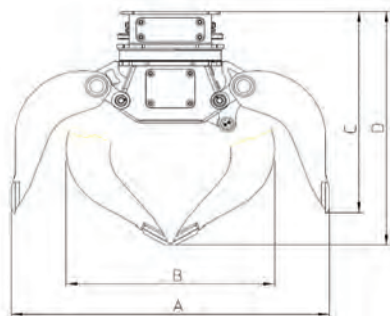
| MODEL                      |       | SGR200  | SGR300  | SGR450  | SGR600  | SGR850  |
|----------------------------|-------|---------|---------|---------|---------|---------|
| Excavator weight           | t     | 1,5-3   | 3-6     | 5-8     | 7-11    | 10-15   |
| Tool weight*               | kg    | 180     | 320     | 565     | 750     | 860     |
| Capacity                   | l     | 50      | 100     | 200     | 300     | 400     |
| A                          | mm    | 910     | 1100    | 1500    | 1650    | 1700    |
| B                          | mm    | 625     | 715     | 1030    | 1090    | 1100    |
| C                          | mm    | 760     | 805     | 1100    | 1130    | 1140    |
| D                          | mm    | 830     | 915     | 1240    | 1310    | 1340    |
| L                          | mm    | 400     | 500     | 600     | 600     | 800     |
| Hydraulic working pressure | bar   | 200-250 | 200-250 | 200-250 | 250-300 | 300-320 |
| Oil flow                   | l/min | 5-8     | 10-15   | 20-30   | 20-30   | 20-30   |

We are constantly improving our products and therefore we reserve the right to change the design and technical specifications without prior notice.

- The **continuous hydraulic rotation** enables accurate tool positioning in every working environment. In addition, the robust components and the double motor, on bigger models, ensure durability and rotating power

- The **blades are interchangeable** and can be turned before replacement maintaining a high precision clamping

- The **new optional toothed blades** guarantee greater grip to handle boulders



| SGR1000 | SGR1100 | SGR1200 | SGR1500 | SGR1900 | SGR2500 | SGR2700 |
|---------|---------|---------|---------|---------|---------|---------|
| 14-18   | 16-20   | 18-22   | 21-25   | 25-30   | 30-35   | 35-40   |
| 1330    | 1400    | 1480    | 1570    | 2260    | 2520    | 2570    |
| 500     | 600     | 700     | 800     | 900     | 1000    | 1100    |
| 2000    | 2000    | 2000    | 2100    | 2230    | 2240    | 2240    |
| 1300    | 1300    | 1300    | 1430    | 1400    | 1420    | 1455    |
| 1340    | 1340    | 1340    | 1370    | 1490    | 1500    | 1500    |
| 1550    | 1550    | 1550    | 1600    | 1745    | 1770    | 1770    |
| 750     | 900     | 1000    | 1000    | 1200    | 1300    | 1350    |
| 300-350 | 300-350 | 300-350 | 300-350 | 300-350 | 300-350 | 300-350 |
| 50-60   | 50-60   | 50-60   | 50-60   | 70-80   | 70-80   | 70-80   |

\* Tool weight does include Mantovanibenne top bracket.